

The FDMK mounting kit allows easy permanent or pulley mounting of our line of folded dipole antennas. This kit consists of a support system and ancillary items to mount the antennas in a three support installation. This includes horizontal (flat-top) or inverted Vee. The mount is versatile, allowing attachment to poles, masts, trees, towers, or free hanging from a rope. This kit is NOT required for two pole horizontal or sloper installations.

All materials are manufactured for a long outdoor life, with use of UV stabilized thermoplastics, and stainless steel hardware. The kit includes a thermoplastic support system, clamps for the balun and balancing network, an all weather pulley, 100 feet of rope, and hardware. The rope supplied is polyester diamond braid, which will not stretch, rot, or degrade under UV.

Please read the entire instruction sheet and determine your mounting method before starting.

### ASSEMBLY

Referring to figure 1, first attach the short plastic cross arm to the bottom of the long plastic vertical support with two #8 flat head self tapping screws. They will cut their own threads into the cross arm. It is normal for a little plastic to crack out of the top of the hole when starting the thread. Next, attach the stainless steel clamp to the top of the vertical support using the 1/4-20 flat head machine screw, flat washer, and self locking nut.

If you wish to attach the support to a mast, tree, or other similar object, you may wish to do so now, before attaching the antenna. This will allow you access to a hole under the balun which is convenient for a screw or bolt. Refer to the usage section and other sketches.

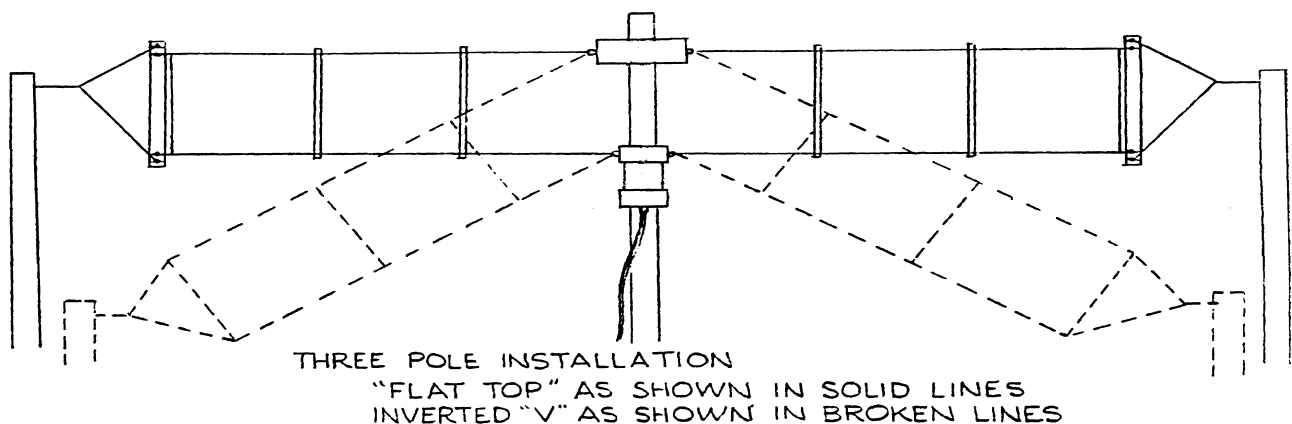
Now you may begin attachment of the antenna. Attach the balancing network in the metal clamp, using the long 1/4-20 machine screw and a self locking nut. Remember to keep orientation so that the drain hole will be down. Clamp the balun to the short plastic cross arm as shown in figure 2 using the plastic strap with the remaining 1/4-20 machine screws, flat washers on both sides, and self locking nuts.

### USAGE

Several sketches are included to give you some ideas on mounting. When attaching to a tower, it is best to use a pressure treated 2 x 4 or PVC sticking out. This will keep some distance from the tower to avoid coupling problems. There are four holes in a staggered pattern pre-drilled in the center of the support for this type of mounting. Multiple smaller screws are used for anti-rotation.

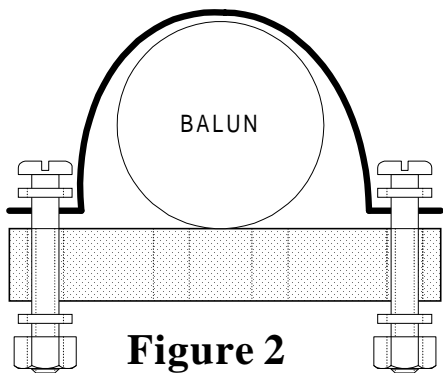
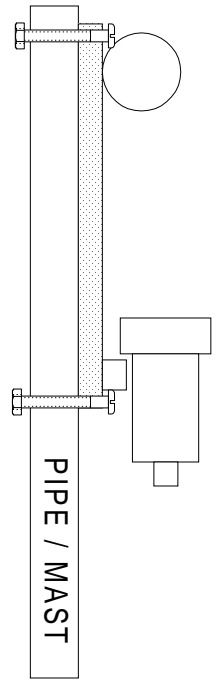
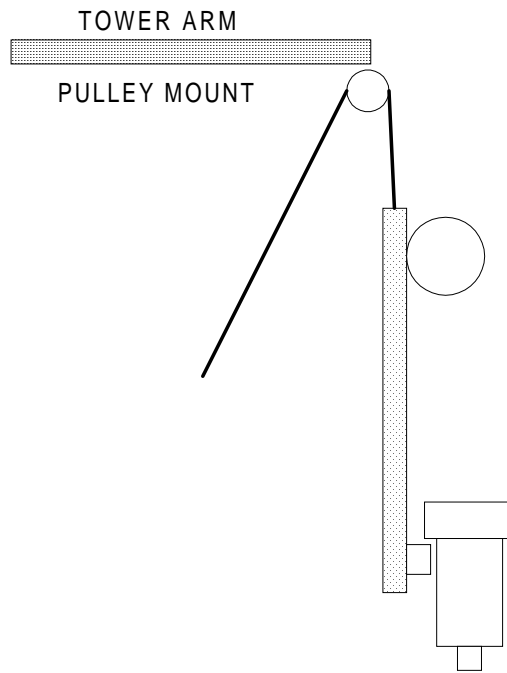
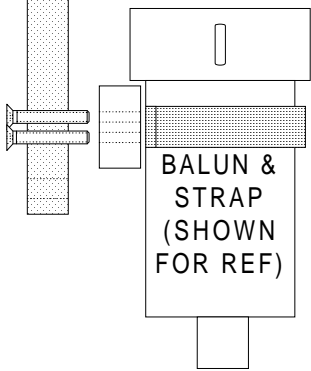
Pipe or mast pole mounting may be accomplished by direct connection with bolts. Any vertical surface can be easily used in the same manner.

Free hanging installations with rope may be done by simply tying the rope to the top hole on the vertical support. In this manner, the entire center of the antenna can be raised or lowered as a unit.





**Figure 1**



**Figure 2**

