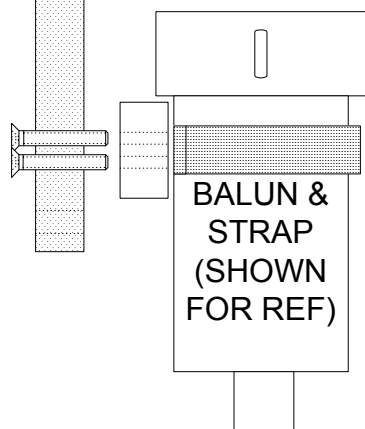




Figure 1



ASSEMBLY

Referring to figure 1, first attach the short plastic cross arm to the bottom of the long plastic vertical support with two #8 flat head self tapping screws. They will cut their own threads into the cross arm. It is normal for a little plastic to crack out of the top of the hole when starting the thread. Next, attach the 1" stainless steel clamp to the top of the vertical support using the 1/4-20 flat head machine screw, flat washer, and self locking nut.

Now you may begin attachment of the antenna. Attach the balancing network in the metal clamp, using the long 1/4-20 machine screw and a self locking nut. Remember to keep orientation so that the drain hole will be down. Clamp the balun to the short plastic cross arm as shown in figure 2 using the plastic strap with the remaining 1/4-20 machine screws, flat washers on both sides, and self locking nuts.

For hard affixing to the mast pole, attach the 1-1/4 clamps to the back of the long bar through the holes at top and bottom of the bar. This hardware will be in a separate bag. Refer to figure 3.

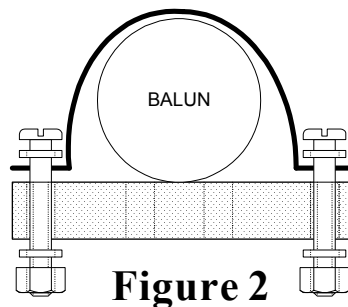


Figure 2

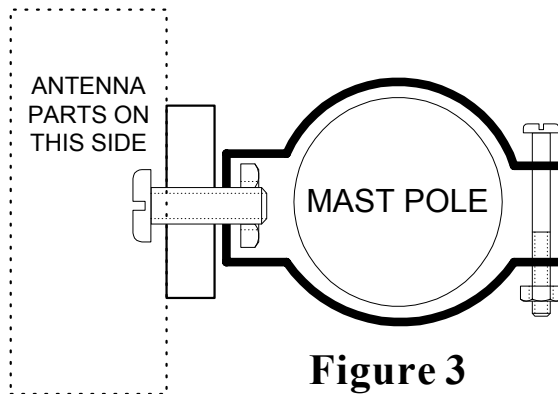


Figure 3